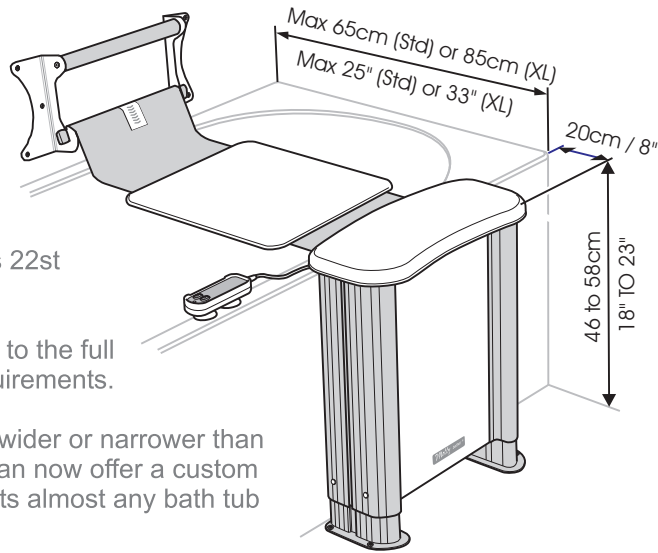


...technical information



The maximum user weight is 22st (140kg / 308lb).

The bath lift has been tested to the full CE safety and durability requirements.

If your bath is taller, shorter, wider or narrower than the dimensions shown, we can now offer a custom made Molly bather which suits almost any bath tub (contact us for details).

Molly bather™

Molly

	Wall mounted belt bather	Inflatable bath lift	Portable bath lift
--	--------------------------	----------------------	--------------------

Full soak.....	✓	✓	✓	✗
Drying seat.....	✓	✗	✗	✗
Handhold accessibility.....	✓	✗	✗	✗
Anti-shuffle cushion.....	✓	✗	N/A	N/A
Full leg room.....	✓	✓	✓	✗
User can fully recline.....	✓	✓	✓	✗
Easy to remove for others.....	✓	✓	✗	✗
Battery operated.....	✓	OFTEN MAINS ⚠	OFTEN MAINS ⚠	✓
Lifts per battery charge.....	20+	N/A	N/A	5-10



Your local dealer :

Molly Bather Limited
49a Littlemarsh, Semington,
Trowbridge, WILTS. BA14 6JF
tel : 01380 870649

Email: sales@mollybather.com
Internet: www.mollybather.com

This product is protected under Patent : GB 2366722
In line with our policy of the constant improvement of our products, we reserve the right to vary the specifications of the equipment on this leaflet.

www.mollybather.com

Molly bather - a family business...

Molly Bather Ltd is a small family business, based in the West of England. The Molly Bather bath lift was designed in 2000 with the knowledge and experience gained from over 25 years of developing world-class healthcare products. The bath lift is proudly made in Britain to exceptionally high standards.

The Molly Bather is one of the most versatile bath lifts available. It allows you to use all of the length, width and depth of your existing bath tub. The bath lift is crafted from satin aluminium and stainless steel, designed to last for many trouble-free years. Explained below are some of its unique features.



- 1) The belt can be unclipped from the grab rail, so others can enjoy a normal bath.
- 2) We have a range of sturdy grab rails (see opposite page for details).
- 3) Getting into the bath is very safe and easy using the padded transfer stool.
- 4) Lift yourself gently in and out of the bath at the touch of a button.
- 5) The bath lift is powered by a rechargeable battery pack (located under the seat).

...the bath lift in action

1) Sit on the padded seat and undress safely.



2) Move parallel with the bath and swing your legs into the bath.



3) Slide across onto the slip-cushion, then lower into the bath.



4) Lay back and have a relaxing soak with no obstructions.



5) Raise up level with the padded seat, ready to transfer out.



6) Slide onto the seat, with your legs still in the bath.



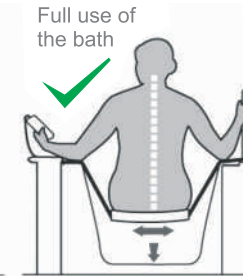
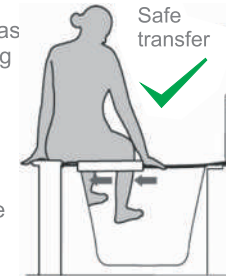
7) Lift your legs over the bath side, holding the grab bar.



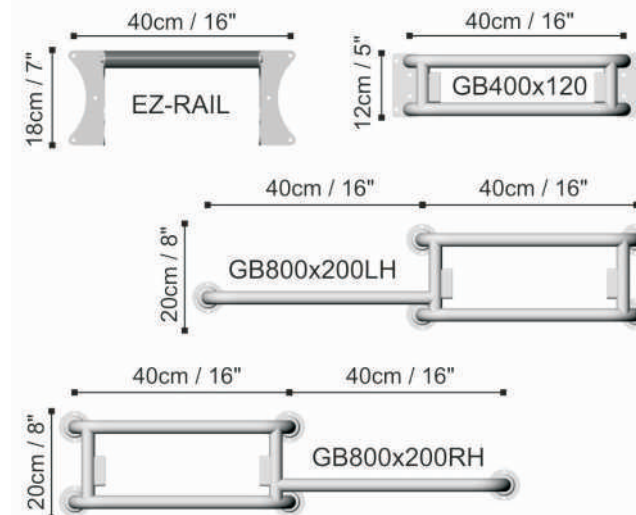
8) Rotate round on the padded seat, ready to dry and dress.



The unique slip cushion has been developed by bathing experts, it allows the user to stay central on the belt (unlike any other bath lift in its class). The padded cushion uses a special closed cell foam, therefore any liquid is repelled. It is also machine washable.



...grab rail options



A range of grab rails have been developed to ensure maximum safety and comfort when using your Molly Bather.

The grab rail is attached to the bathroom wall opposite the seat of the Molly Bather, giving you extra support and peace of mind when getting in and out of the bath.

The GB800 has an extended rail, giving extra support to sufferers of severe arthritis (available in left or right hand).

The unique rails can even fit under bathroom windows.